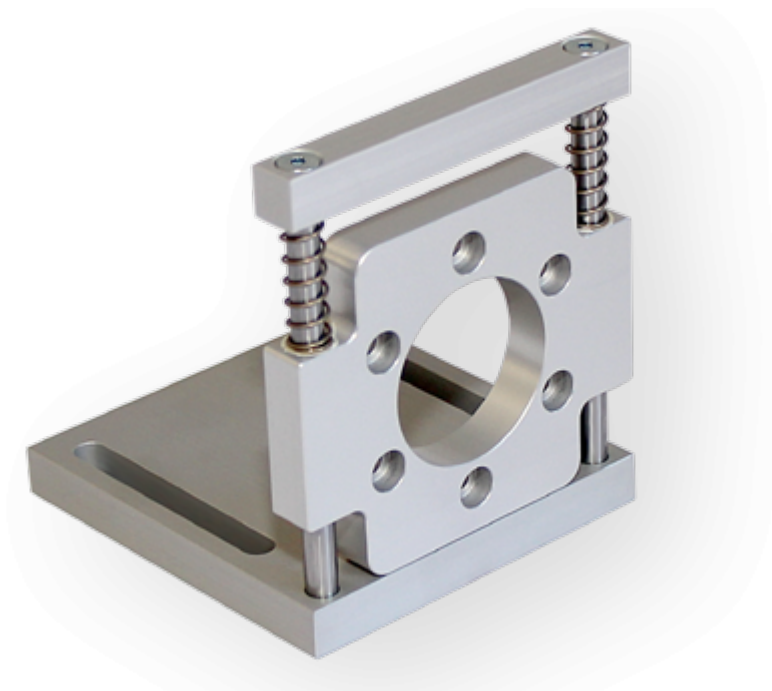




## Accessories

### 10025371 - Mounting Bracket Spring Loaded f. Clamping Flange

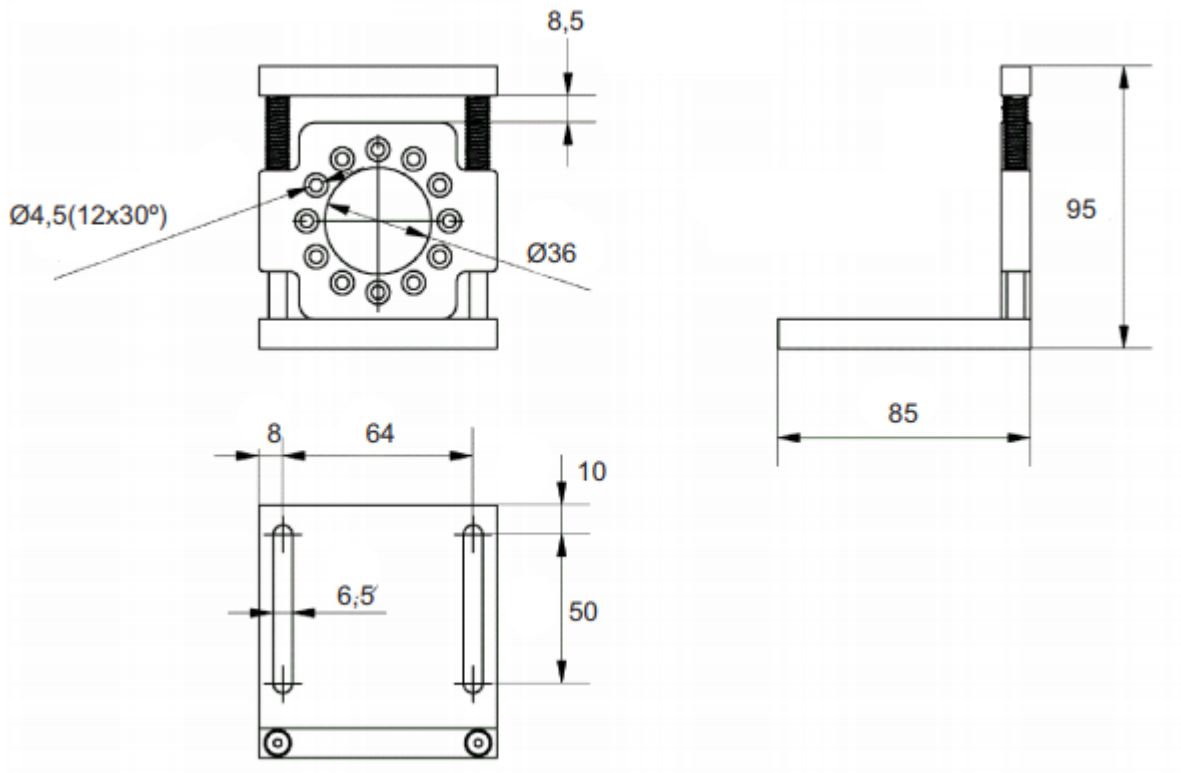


#### General Data

|                 |   |
|-----------------|---|
| Intro           | It is customized to fit all encoders with a Ø58mm clamping flange along with the 500mm measurement wheels. The spring feature ensures optimal positioning of the encoder/ measurement wheel and guarantees a constant pressure on the measurement surface |
| Flange Type     | Clamping - Solid Shaft  |
| Flange Diameter | 58 mm   |
| Material        | Aluminium   |

# POSITAL

## FRABA



### Contact



Contact Us

All dimension in [inch] mm. This drawing and the information contained is for general presentation purposes only. Please refer to the "Download" section for detailed technical drawings. © FRABA B.V., All rights reserved. We do not assume responsibility for technical inaccuracies or omissions. Specifications are subject to change without notice.

Data Sheet  
Printed at 12-03-2020 11:03