

AD-0001



ADVANTAGES

- Direct visual or sound alarming
- Alarming via thresholds or scripts (IF/OR/AND/THEN)
- Permanent or blinking red LED
- Permanent or pulsing buzzer

APPLICATIONS

- Any application where a direct alarming is required with either sound or light

RMS

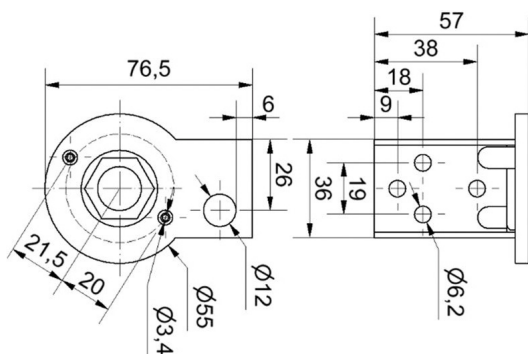
TECHNICAL INFORMATION

The AD-0001 will warn users both visually and aurally of any alarms that are setup within the Rotronic monitoring system. Alarms can be setup via the alarm scheme as well as via the script function (IF/OR/AMD/THEN) and then triggered from the actions settings.

Compatible with

- RMS-DO-L-R

Dimensions (mounting bracket)



General specifications	
Device type	AD-0001
Range of application	-20...50 °C / 0...95 %RH
Storage conditions	-0...50 °C / 0...95 %RH
Electrical supply	24 VDC (power can be supplied via the RMS-DO-L-R)
Light	Red LED
Sound	< 85 dB
Housing / Mechanical parts	
Height	154.5 mm without mounting bracket
Diameter	70 mm
IP protection class	IP65
Housing material	PA and PC

Sound pressure level dB (A)

	Distance in m												
	1	2	3	5	10	20	30	50	100	200	300	500	1000
100	94	90	86	80	74	70	66	60	54	50	46	40	
90	84	80	76	70	64	60	56	50	44	40			
85	79	75	71	65	59	55	51	45	39				
70	64	60	56	50	44	40	36						