

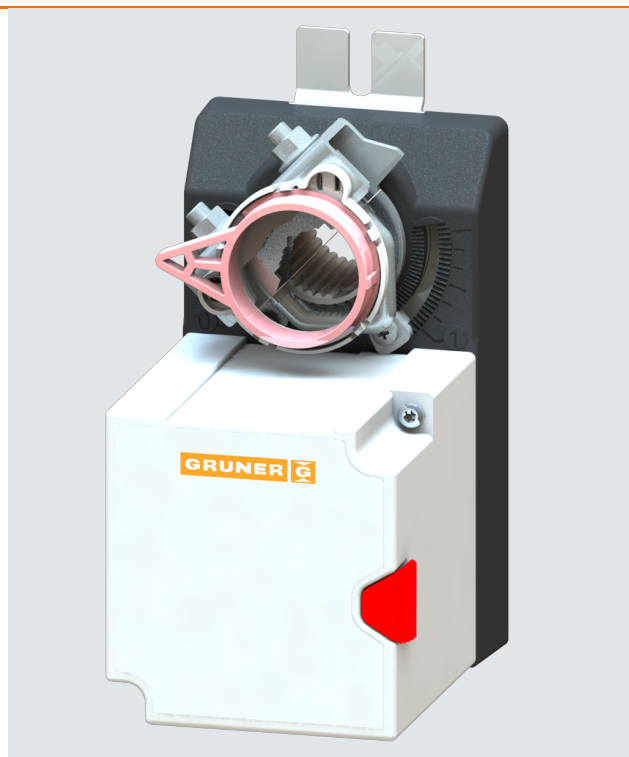
Technical data sheet

227CSZ-230-10E/RE20 Rotary actuator

Description

Rotary actuator for adjusting dampers in HVAC installations

- Running time 20 s / 90°
- Torque 10 Nm
- Nominal voltage 230 VAC/DC
- Control continuous control (0)2...10 VDC
- Damper size up to approx. 2 m²
- Shaft coupling clamp
◇ 8-15 mm / Ø 8-20 mm



Technical data

Electrical data	Nominal voltage	230 VAC/DC, 50/60 Hz
	Nominal voltage range	85...265 VAC/DC
	Power consumption motor (motion)	2,5 W
	Power consumption standby (end position)	1,0 W
	Wire sizing	5,0 VA
	Control	continuous control (0)2...10 VDC / Ri > (100 kΩ) 50 kΩ (0)4...20 mA / Rext. = 500 Ω
	Feedback signal	(0)2...10 VDC, max. 5 mA
	Auxiliary switch	-
	Contact load	-
	Switching point	-
	Connection motor	cable 1000 mm, 6 x 0,75 mm ² (halogen free)
	Connection feedback potentiometer	-
	Connection auxiliary switch	-
	Connection GUAC	-

Technical data

Functional data	Torque	10 Nm	
	Damper size	up to approx. 2 m ²	
	Synchronised speed	±5%	
	Direction of rotation	selected by switch	
	Manual override	gearing latch disengaged with pushbutton, self-resetting	
	Angle of rotation	0°...max. 95° can be limited with adjustable mechanical end stops	
	Running time	20 s / 90°	
	Sound power level	< 35 dB(A)	
	Shaft coupling	clamp \diamond 8-15 mm / \varnothing 8-20 mm	
	Position indication	mechanical with pointer	
	Service life	> 100 000 cycles (0°...95°...0°) > 1 500 000 partial cycles (max. ±5°)	
	Safety	Protection class	II (double insulation)
		Degree of protection	IP 54 (cable downwards)
EMC		CE (2014/30/EU)	
LVD		CE (2014/35/EU)	
RoHS		CE (2011/65/EU - 2015/863/EU - 2017/2102/EU)	
Mode of operation		Typ 1 (EN 60730-1)	
Rated impulse voltage		4 kV (EN 60730-1)	
Control pollution degree		3 (EN 60730-1)	
Ambient temperature normal operation		-30°C...+50°C	
Storage temperature		-30°C...+80°C	
Ambient humidity		5...95% r.H., non condensing (EN 60730-1)	
Maintenance	maintenance free		
Dimensions / Weight	Dimensions	148 x 67 x 62 mm	
	Weight	500 g	

Functionality / Properties

Operating mode

Connect power supply to wire 1+2 of two wire cable, a reference signal Y to wire 3 in range of (0)2...10 VDC and ground from reference/feedback signal to wire 4 of four wire cable, actuator drives to its specified position. The actual damper position (0...100%) is a feedback signal U on wire 4 of four wire cable for example to share with other actuators. The actuator is overload-proof, requires no limit switches and automatically stops, when the end stop is reached.

Direct mounting

Simple direct mounting on the damper shaft with a clamp, protection against rotating with enclosed anti-rotation lock or rather at intended attachment points.

Manual override

Manual override with self-resetting pushbutton possible (the gear is disengaged as long as the button is pressed).

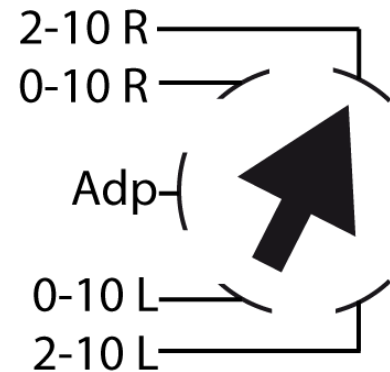
Mode switch

Mode switch with five positions at the housing:

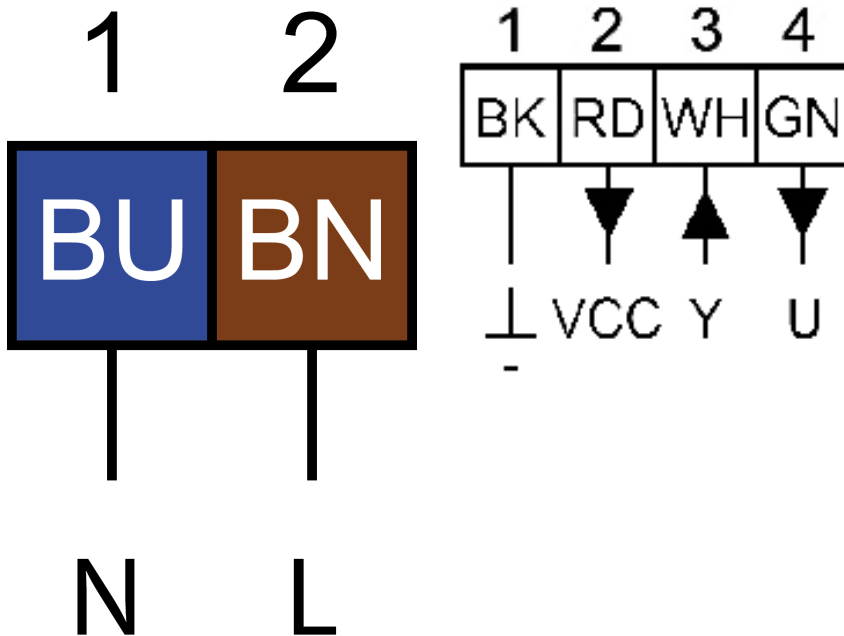
2-10 R: rotary direction right 2-10 VDC
 0-10 R: rotary direction right 0-10 VDC
 Adp: adaption
 0-10 L: rotary direction left 0-10 VDC
 2-10 L: rotary direction left 2-10 VDC

Adaption drive

- Actuator power off
- Setting the mechanical end stops
- Actuator power on
- Adaption enable
- Actuator drive to position 0
- Actuator drive to position 1
- Adaption disable, if desired angular range reached or rather if actuator reached endstop
- "Y" refers to the measured angular range



Connector / Security Note



Safety remarks

- Caution: power supply voltage!
- The device is not allowed to be used outside the specified field of application, especially in airplanes.
- It may only be installed by suitably trained personnel. Any legal regulations or regulations issued by authorities must be observed during assembly.
- The device may only be opened at the manufacturer's site.
- The device is not allowed to be disposed of as household refuse. All locally valid regulations and requirements must be observed.
- When calculating the required torque, the specifications supplied by the damper manufacturer's (cross-section, design, installation site), and the air flow conditions must be observed.

Technical Drawing

